

## Low Profile Coupling (LPC) FAU for Data Communication Application

### Description

Vlink's 90-degree bent fiber array is manufactured using high-precision V-grooves and Vlink's proprietary process, delivering excellent reliability. With a compact 3.5 mm profile, it is compatible with standard modules.

### Key Features

- Fiber Bending with Minimized Stress
- High Precision of Core Pitch of Fiber Array
- High Coupling Efficiency

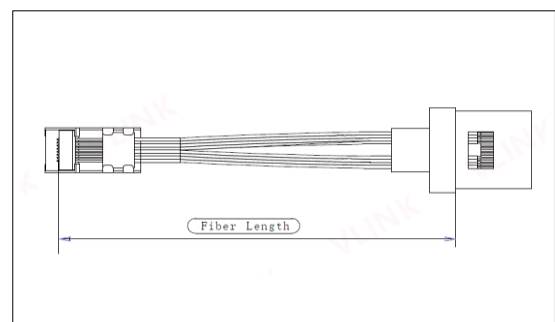
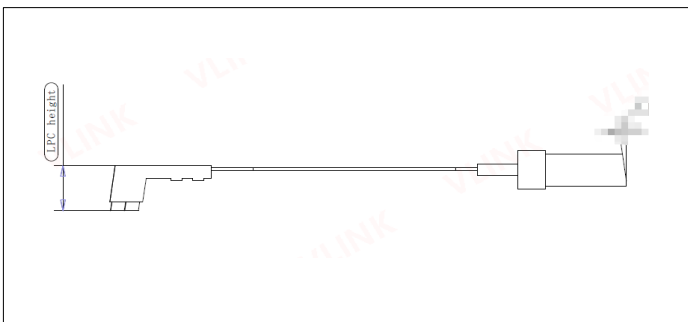
### Applications

- 400G/800G Data Center Application

### Specifications

Parameter	Unit	Value
Wavelength	nm	1310, 1550 or Specialty
Channel Count		8/12/16/Specialty
Typ. Insertion Loss	dB	0.50
Max. Insertion Loss	dB	0.75
Max. Pitch Error	μm	1
Fiber Length Tolerance	%	± 10 or Specify
Operating Temperature	°C	- 5 to + 70
Storage Temperature	°C	- 40 to + 85

### Package Dimensions



### Ordering Information

①: Fiber Count	②: AR-Coating	③: Material Type
08 - 8 Channel	NO - NO Coating	1 - Borosilicate
12 - 12 Channel	25 - R < 0.25% @ 1520 - 1630 nm	2 - Fused Silica
16 - 16 Channel	SS - Specify	S - Specify
S - Specify		

④: Core pitch

1 - 127  $\mu\text{m}$

2 - 250  $\mu\text{m}$

S - Specify

⑤: Polishing Angle

8 - 8°

S - Specify

⑥: Fiber Length

1 - 100 mm

S - Specify

⑦: Fiber Type

F - SM Fiber

F - PM Fiber

S - Specify

⑧: FAU Thickness

1 - 1.5 mm

2 - 2.0 mm

S - Specify

⑨: Connector Type

1 - MT/APC

S - Specify